

Mobile Healthcare Solutions

- Reaching the ones in need
- Improving your efficiency
- Reaching you target market



Healthcare Solutions

Healthcare Solutions

- Mobile Hospital
- Mobile Blood Donation unit
- First Aid
- Mobile Doctors
- Surgery theatre
- Mammography Screening Unit
- Dentist unit
- Health check unit
- Hearing inspections

- And many more



Healthcare Solutions

Mobile Blood Donation Units



Healthcare Solutions



Healthcare Solutions



Healthcare Solutions



Healthcare Solutions



Healthcare Solutions



Healthcare Solutions

CS
Skabsvogne



| Bred model enkeltvogn | | | |
|--|---------|---------|---------|
| Mål Bredde 69,2 cm Dybde 46,8 cm | | | |
| Højde | 2064110 | 2264110 | 2164110 |
| | 101,2 | 2064120 | 2264120 |
| | 116,8 | 2064130 | 2264130 |
| | 146,8 | 2064140 | 2264140 |
| | 176,2 | 2064150 | 2264150 |

| Bred model dobbeltvogn | | | |
|---|---------|----------|---------|
| Mål Bredde 138,5 cm Dybde 46,8 cm | | | |
| Højde | 2064210 | 2264210 | 2164210 |
| | 101,2 | 20640220 | 2264220 |
| | 116,8 | 2064230 | 2264230 |
| | 146,8 | 2064240 | 2264240 |
| | 176,2 | 2064250 | 2264250 |

| Smal model enkeltvogn | | | |
|--|---------|---------|---------|
| Mål Bredde 49,2 cm Dybde 66,8 cm | | | |
| Højde | 2046110 | 2246110 | 2146110 |
| | 101,2 | 2046120 | 2246120 |
| | 116,8 | 2046130 | 2246130 |
| | 146,8 | 2046140 | 2246140 |
| | 176,2 | 2046150 | 2246150 |

| Smal model dobbeltvogn | | | |
|--|---------|---------|---------|
| Mål Bredde 98,5 cm Dybde 66,8 cm | | | |
| Højde | 2046210 | 2246210 | 2146210 |
| | 101,2 | 2046220 | 2246220 |
| | 116,8 | 2046230 | 2246230 |
| | 146,8 | 2046240 | 2246240 |
| | 176,2 | 2046250 | 2246250 |





Healthcare Solutions



Healthcare Solutions



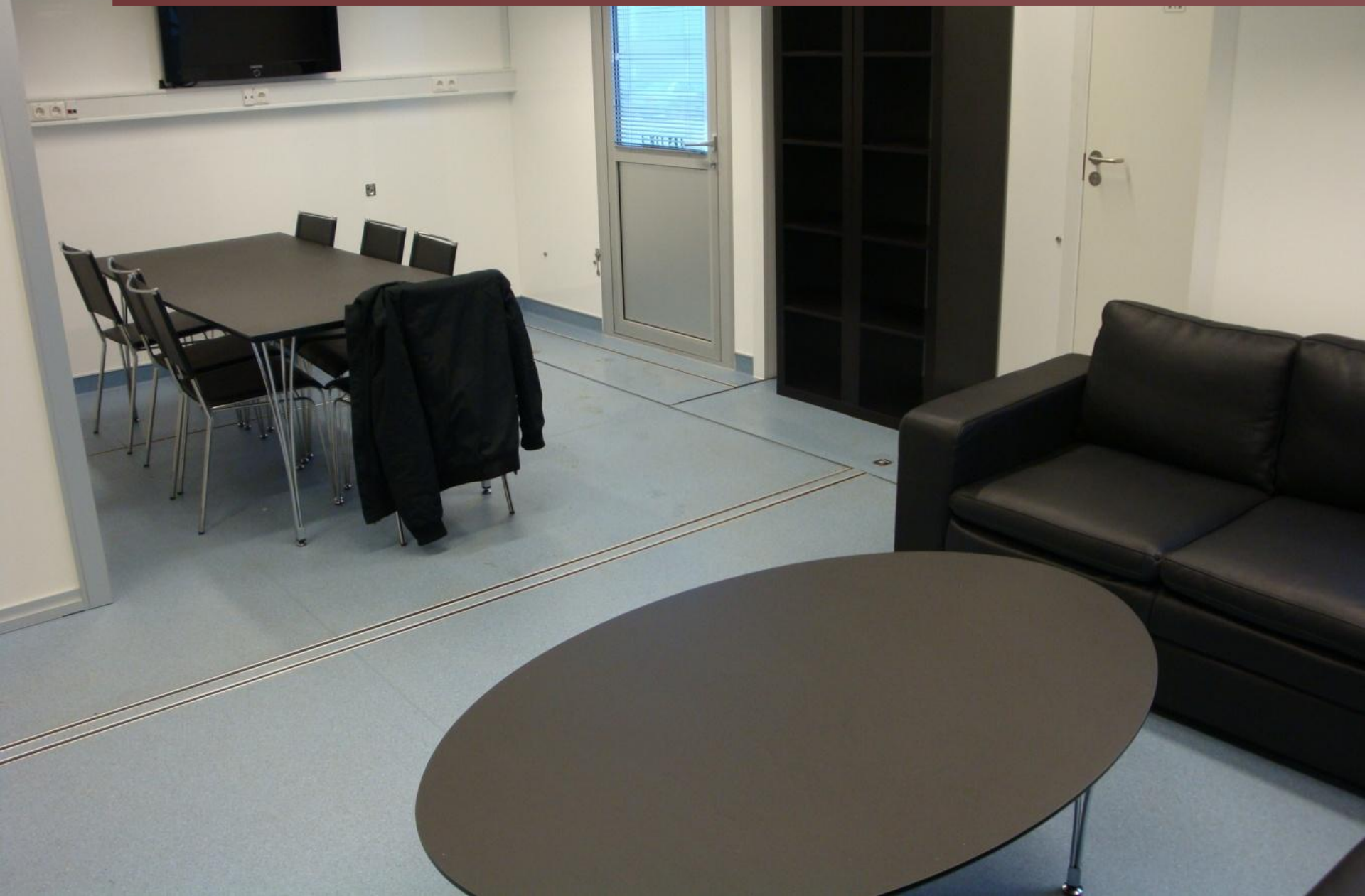




Healthcare Solutions



Healthcare Solutions



Healthcare Solutions



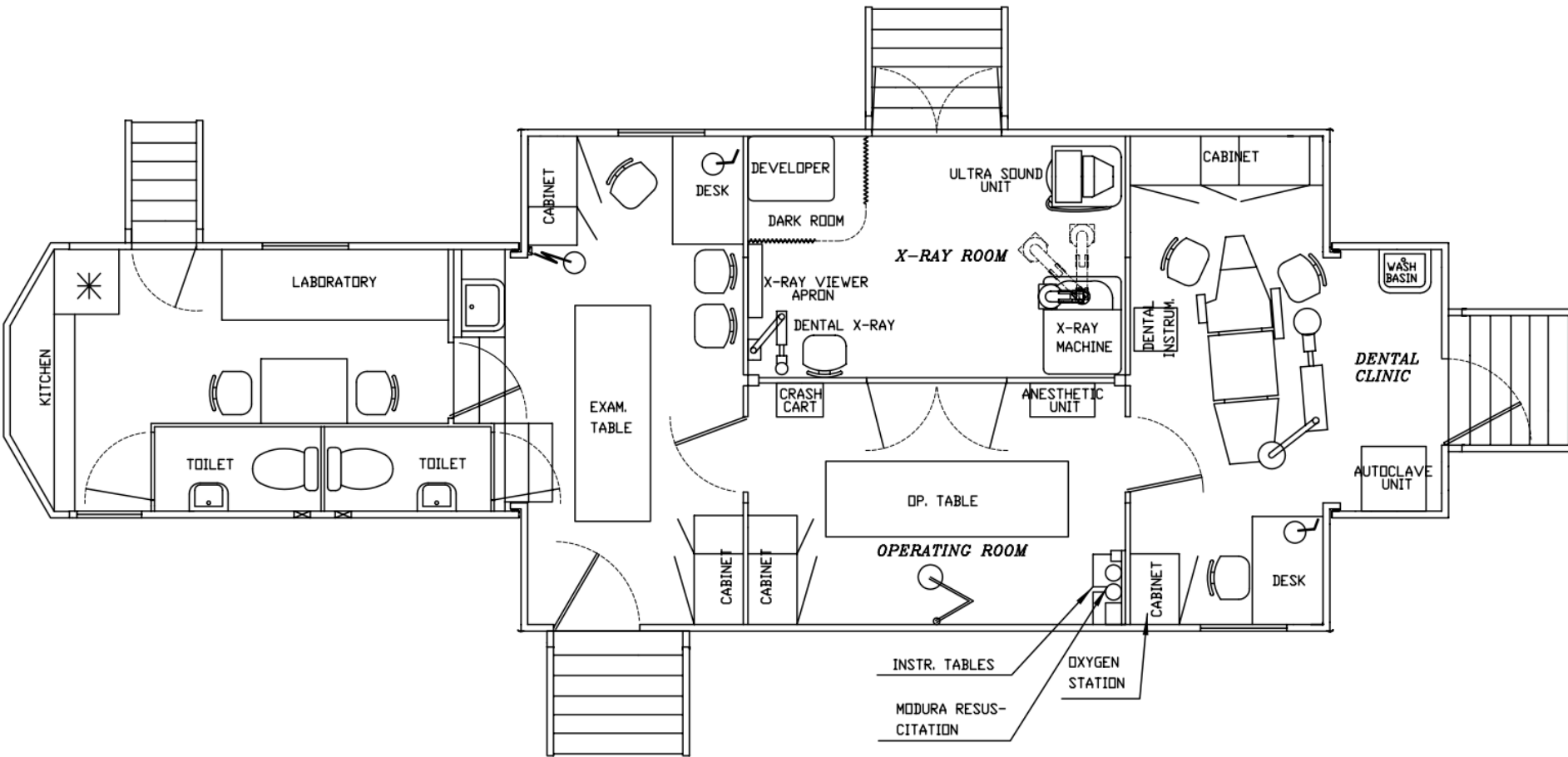
Healthcare Solutions



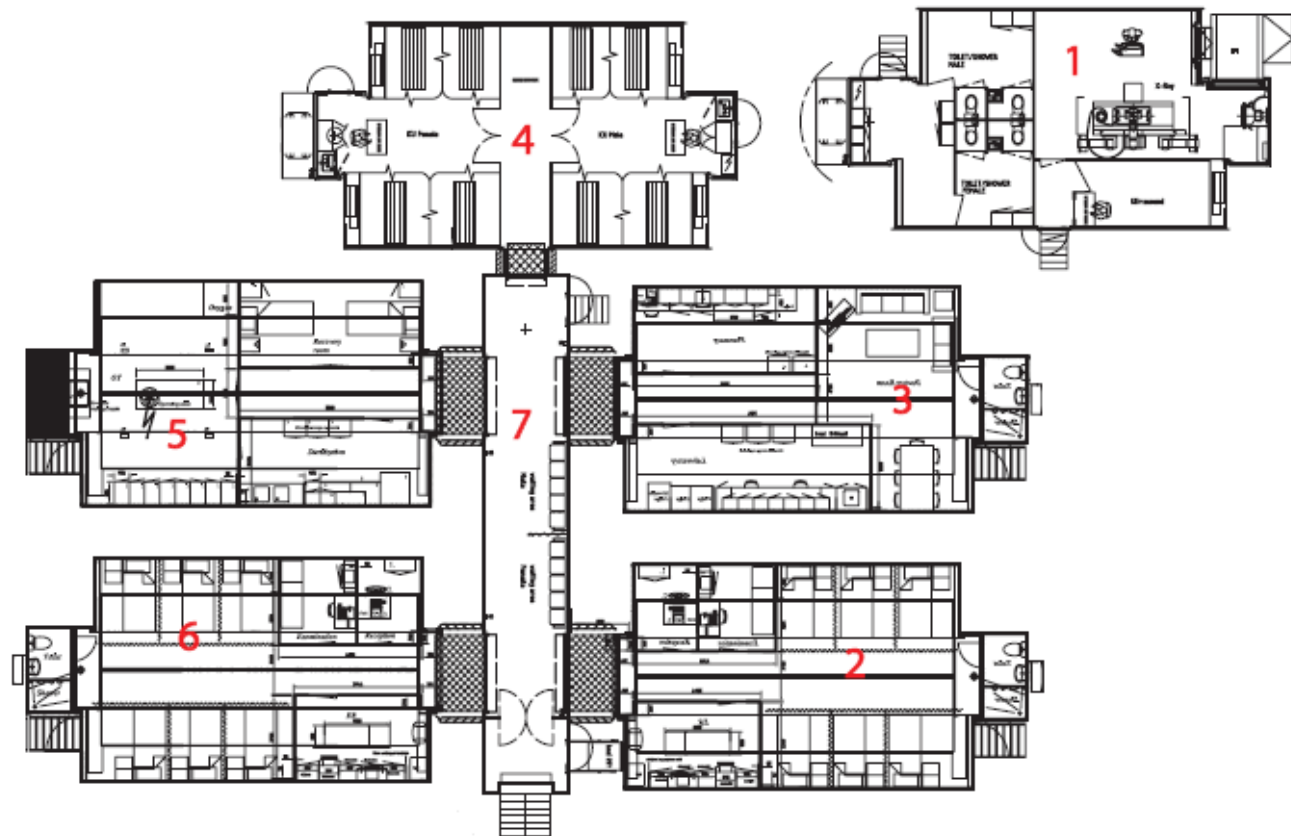
Healthcare Solutions



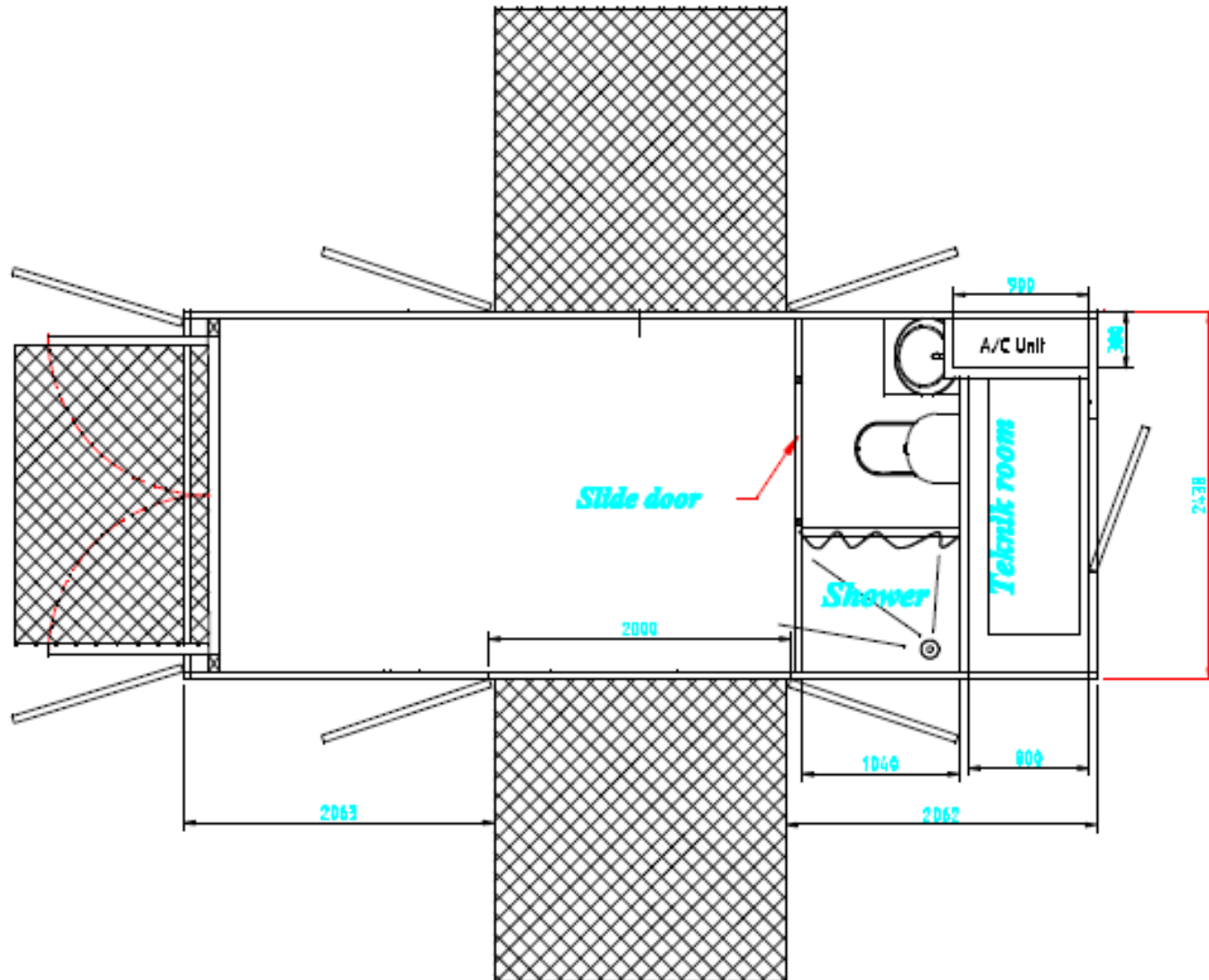
Healthcare Solutions



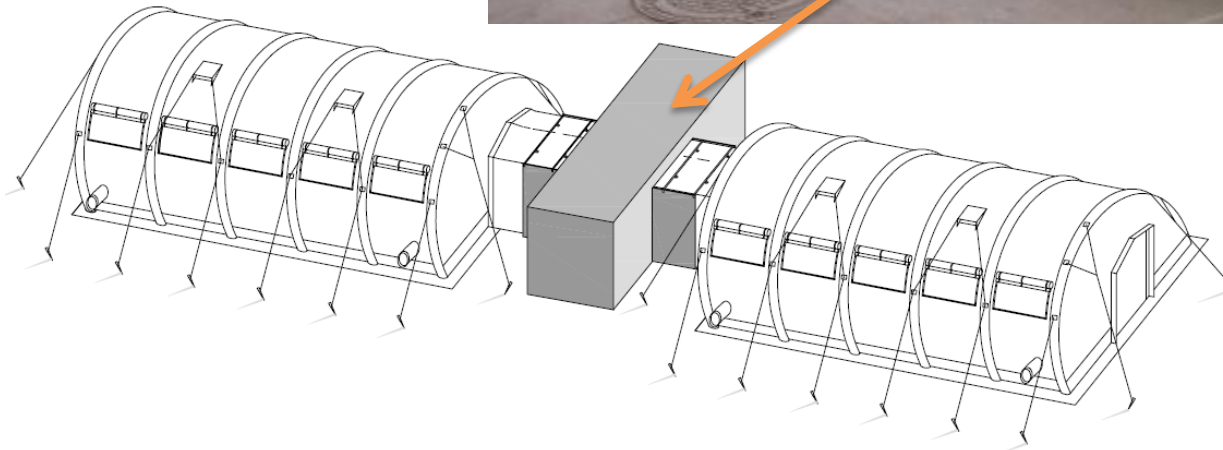
Healthcare Solutions







Healthcare Solutions



Healthcare Solutions



Healthcare Solutions



Healthcare Solutions



AC compressor

Technical room with AC, compressor, power generator, fuel tank and electrical switch box .

Healthcare Solutions



Healthcare Solutions



External water inlet and sewer pipe



Compressor for inflatable tents



External Power



Generator control panel

Healthcare Solutions



Healthcare Solutions



Healthcare Solutions



Healthcare Solutions



Healthcare Solutions



Healthcare Solutions



Healthcare Solutions



Healthcare Solutions



Healthcare Solutions



Healthcare Solutions

Region Midtjylland

-Mobil Blod

Region Nordjylland

-Mobil Blod

Karolinska Sygehus

-Mobil Blod

Region Sjælland

-Mobil Mammografi

Aalborg Kommune

-Mobil Sundhedsbus

Normeca Norge

-Mobil Containerhospital

Saudi Medical Dep.

-Mobile Hospital

Epoka Medic

- Mobil X - ray

